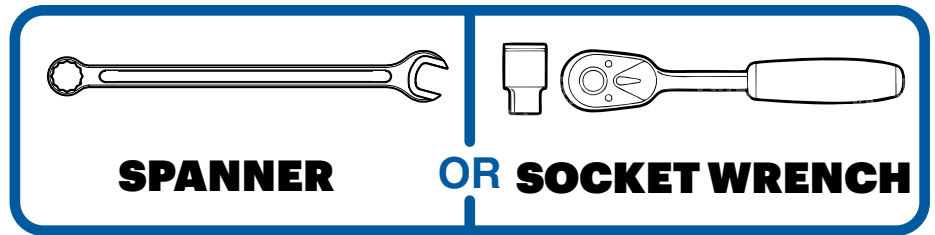
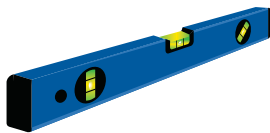


## WHAT YOU NEED



**DO NOT USE IMPACT WRENCH**



**LEVEL**



**TAPE**



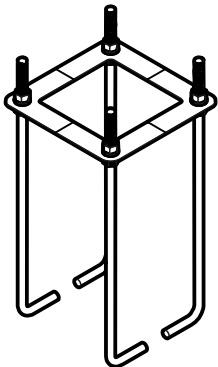
**SPADE**



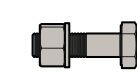
**RIVETER**

## KIT CONTENTS

PARTS NOT TO SCALE



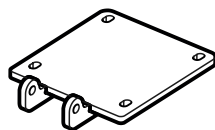
**HOLD DOWN BOLTS WITH INSTALLATION TEMPLATE x4**



**HINGE PIN x8**



**TOP NUT x16  
WASHER x32**



**BOTTOM PLATE x4**



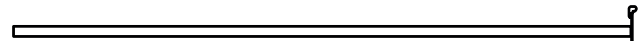
**CROSSBAR x2**



**CROSSBAR NUT, BOLT AND WASHER x4**



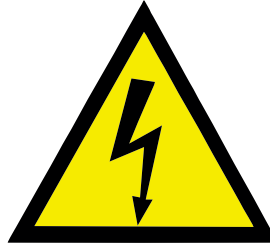
**GOAL POST TOP x4**



**GOAL POST BASE x4**

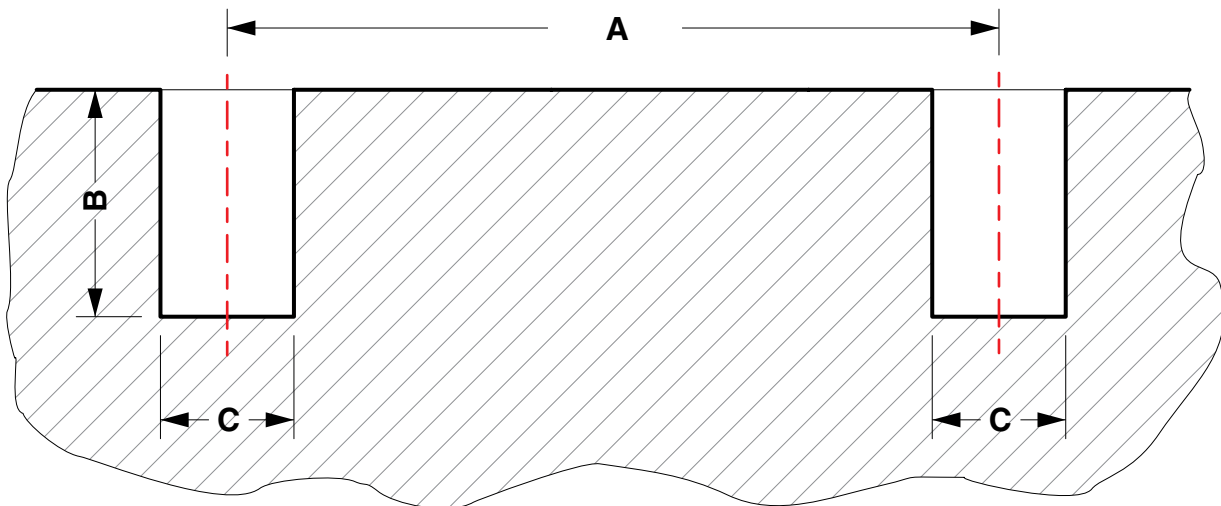


**IMPORTANT! YOU MUST SURVEY THE GROUND FOR EXISTENCE OF ANY UNDERGROUND SERVICES, CALL BEFORE YOU DIG.**



**1**

## FOUNDATION LAYOUT AT EACH END OF FIELD



**2**

## FOUNDATION SIZE AND LOCATION TABLE

MODEL	A (mm)	B (mm)	C (mm)	Est Concrete (m <sup>2</sup> )
RG10000 HBPL (LEAGUE)	5600	1300	600	1.5
RG10000 HBPU (UNION)	5700	1300	600	1.5
RG12000 HBPL (LEAGUE)	5625	1500	600	1.7
RG12000 HBPU (UNION)	5725	1500	600	1.7
RG16000 HBPL (LEAGUE)	5625	1900	750	3.4
RG16000 HBPU (UNION)	5725	1900	750	3.4



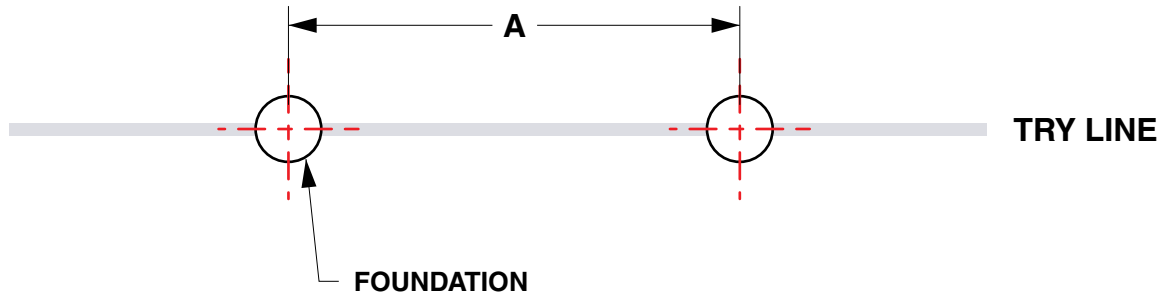
**PLEASE NOTE: GAP BETWEEN POSTS FOR LEAGUE TO BE 5500mm AND FOR UNION TO BE 5600mm**

**CONCRETE RECOMMENDATIONS: MINIMUM STRENGTH:**

**25MPA 80-100 SLUMP 20-25 AGGREGATE ADDITION OF 2% CONCRETE ACCELERATOR**

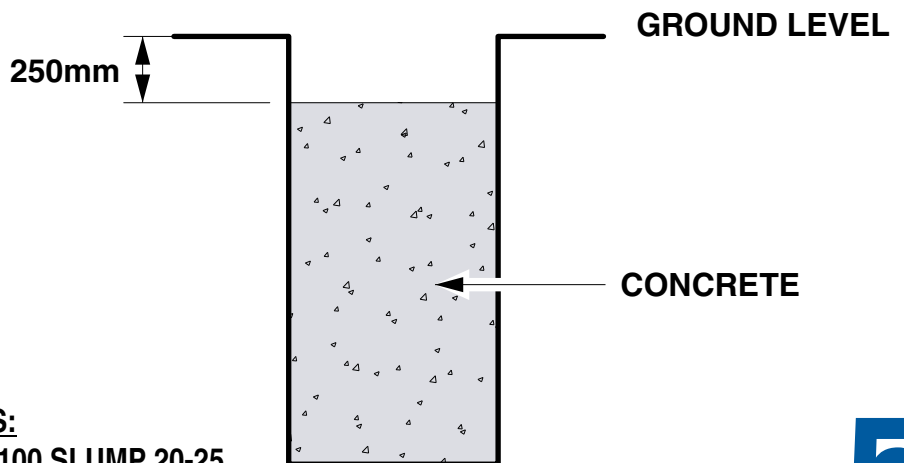
**3**

## MARK OUT AND DIG FOOTINGS AS PER THE FOUNDATIONS TABLE



**4**

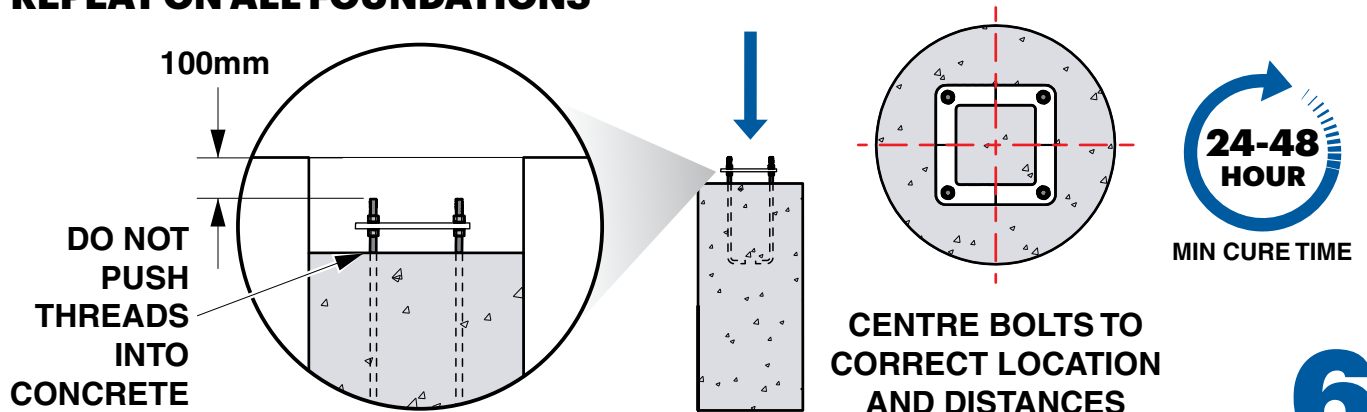
## POUR CONCRETE 250mm BELOW GROUND LEVEL, REPEAT ON ALL FOUNDATIONS



**CONCRETE RECOMMENDATIONS:**  
 MINIMUM STRENGTH: 25MPa 80-100 SLUMP 20-25  
 AGGREGATE. ADDITION OF 2% CONCRETE ACCELERATOR

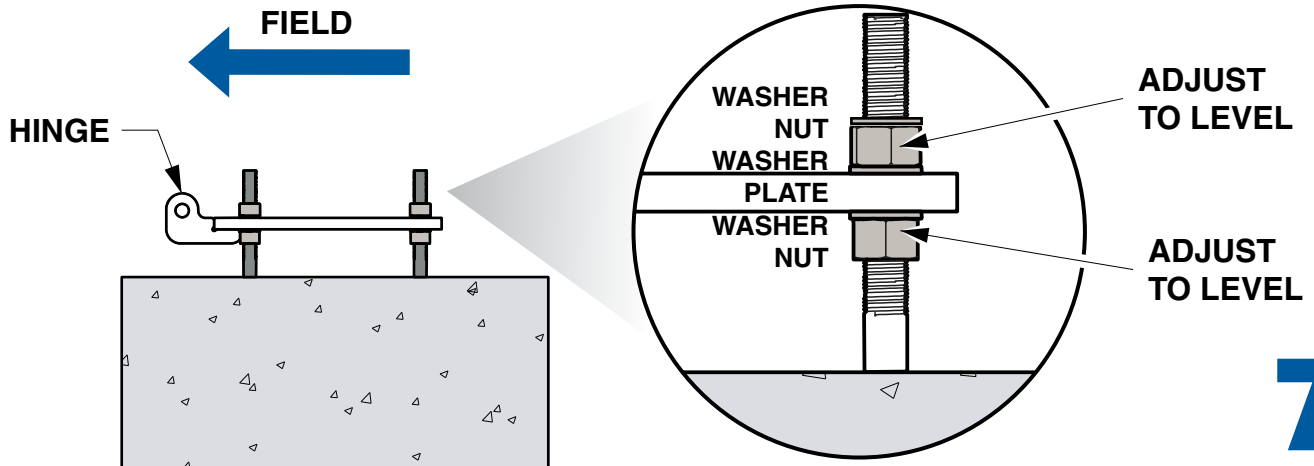
**5**

## INSERT HD BOLT SET INTO POSITION OF FOUNDATION, TOP OF BOLTS TO BE 100mm BELOW GROUND LEVEL, LEAVE CONCRETE TO FULLY CURE, REPEAT ON ALL FOUNDATIONS



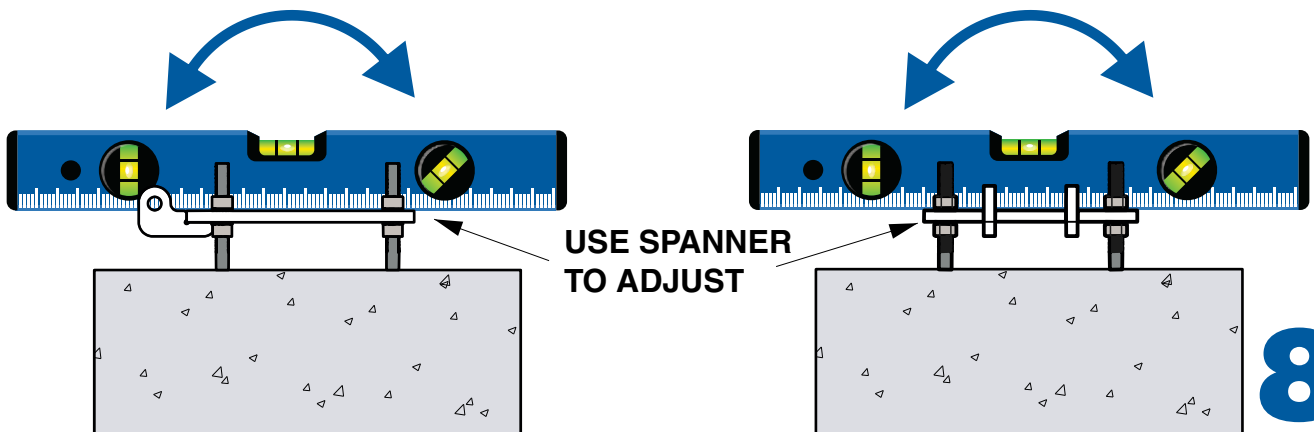
**6**

**REMOVE TEMPLATE, AND REPLACE WITH BOTTOM PLATE AND LEVEL, HINGE MUST FACE DIRECTION OF THE FIELD, REPEAT ON ALL PLATES**



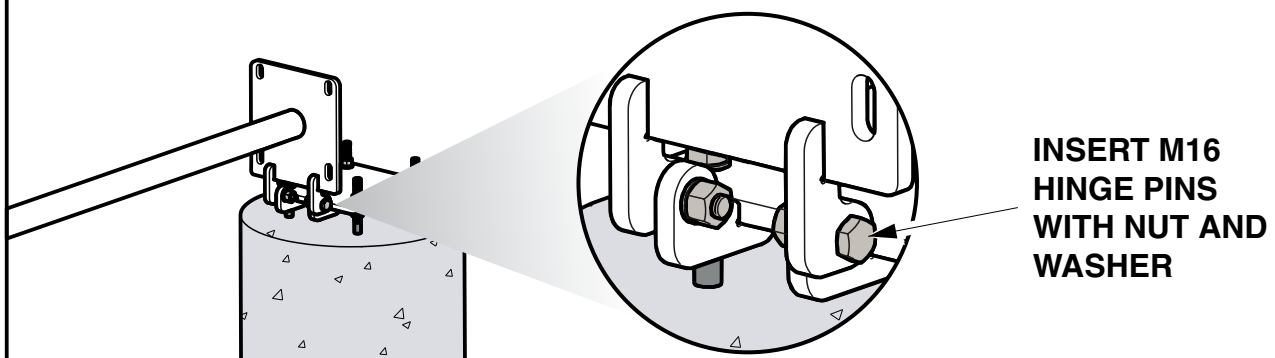
**7**

**TO LEVEL BOTTOM PLATES YOU MUST ADJUST THE TOP AND BOTTOM NUTS SO THAT THE PLATE IS LEVEL IN ALL DIRECTIONS, REPEAT ON ALL PLATES**



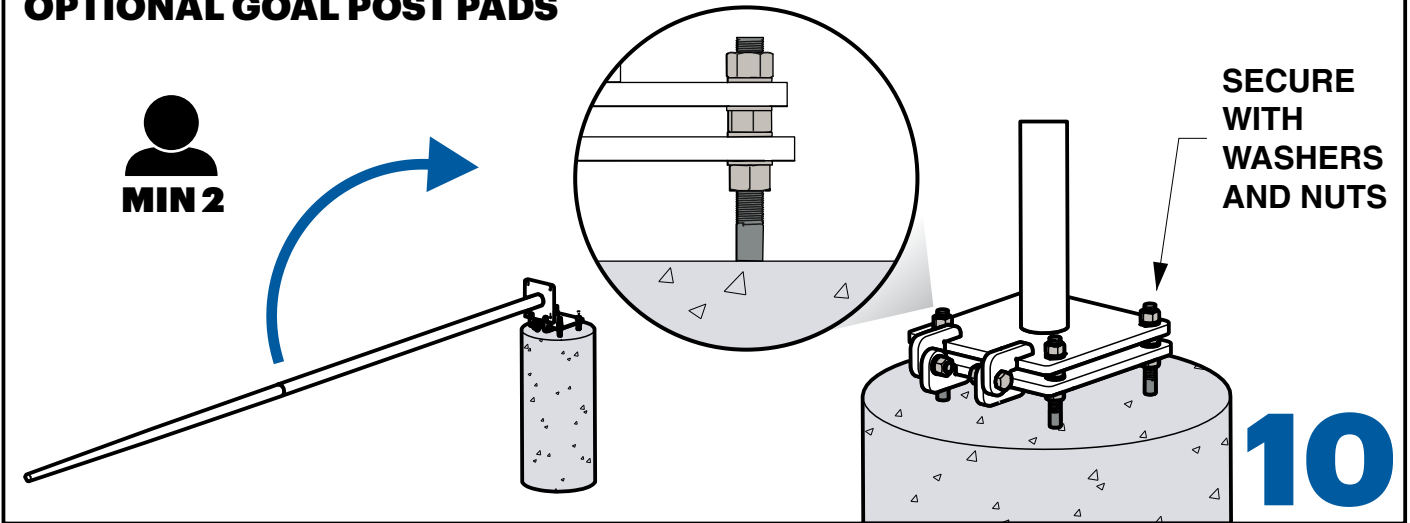
**8**

**ASSEMBLE GOAL POST, ATTACH POST AND TOP PLATE TO BOTTOM PLATE USING HINGE PINS, REPEAT ON ALL POSTS**

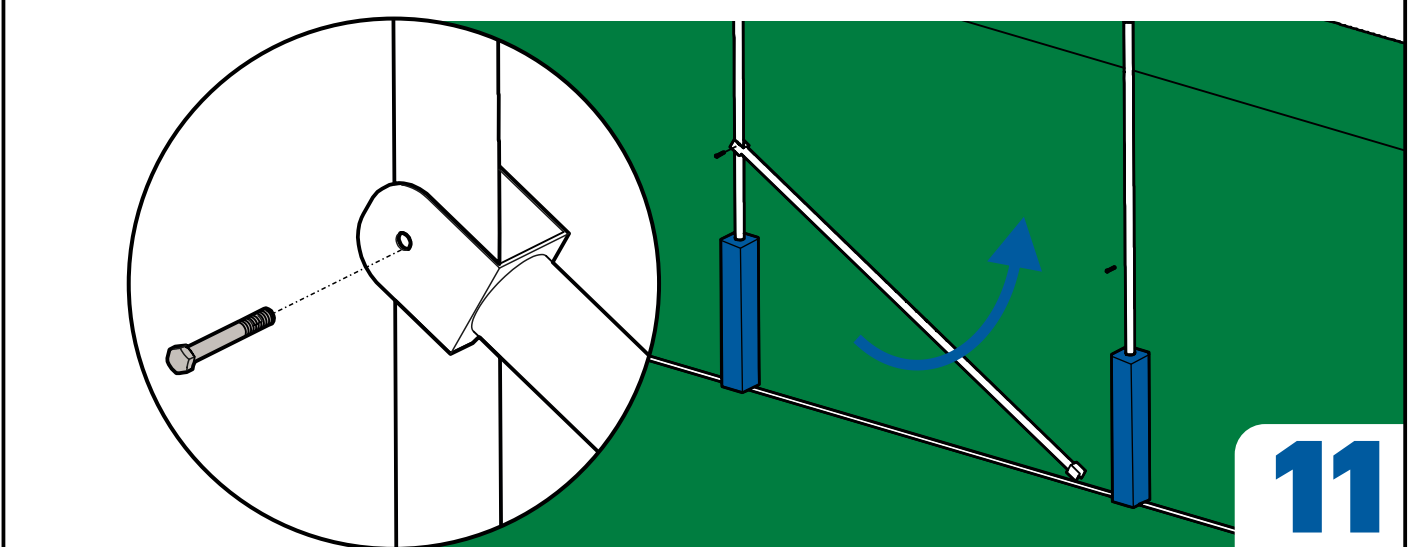


**9**

**CAREFULLY RAISE GOAL POSTS AND SECURE WITH TOP NUTS, INSTALL OPTIONAL GOAL POST PADS**



**ONCE RAISED SECURE CROSS BAR INTO PLACE ONE SIDE AT A TIME**



**AN EASY ROLLER CAN BE USED TO AID RAISING AND LOWERING POSTS**

