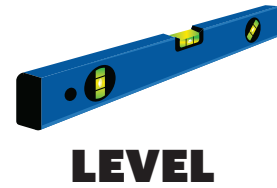
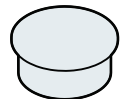
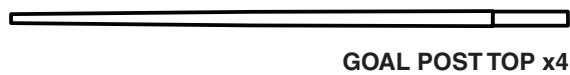


WHAT YOU NEED



KIT CONTENTS

PARTS NOT TO SCALE



OFF SEASON
CAP x 8

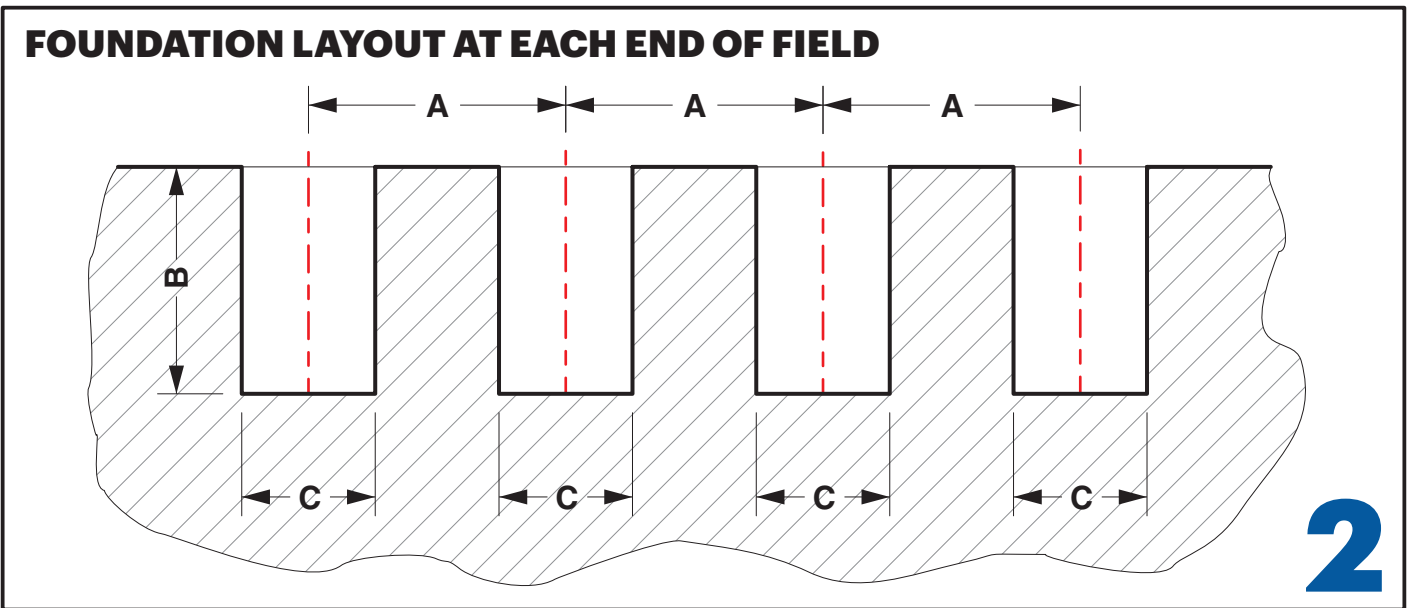


PLEASE NOTE: GOAL POST MAY BE SENT
ASSEMBLED DEPENDING ON MODEL ORDERED

IMPORTANT! YOU MUST SURVEY THE GROUND FOR EXISTENCE OF ANY UNDERGROUND SERVICES, CALL BEFORE YOU DIG.

1100

1



FOUNDATION SIZE AND LOCATION TABLE

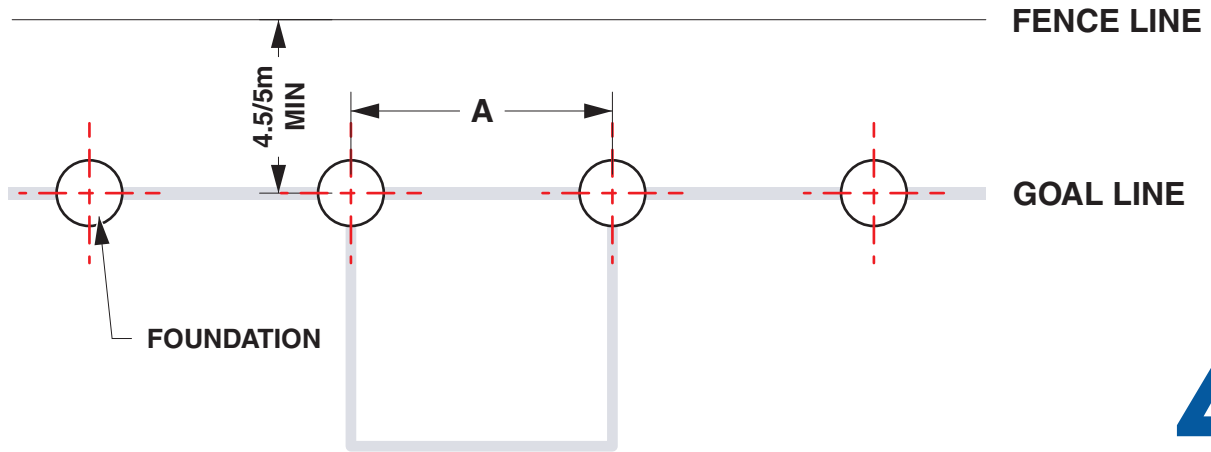
MODEL	POST DIA	A (mm)	B (mm)	C (mm)	Est Concrete (m ²)
GP 6000 GT	80	6480	700	450	0.9
GP 7500 GT	80	6480	850	450	1.1
GP 8000 GT	100	6500	900	450	1.2
GP 9000 GT	100	6500	1000	600	2.1
GP 10000 GT	100	6500	1100	600	2.4

PLEASE NOTE:
GAP BETWEEN POSTS TO BE 6400mm

CONCRETE RECOMMENDATIONS:
MINIMUM STRENGTH: 25MPA 80-100 SLUMP 20-25 AGGREGATE
ADDITION OF 2% CONCRETE ACCELERATOR

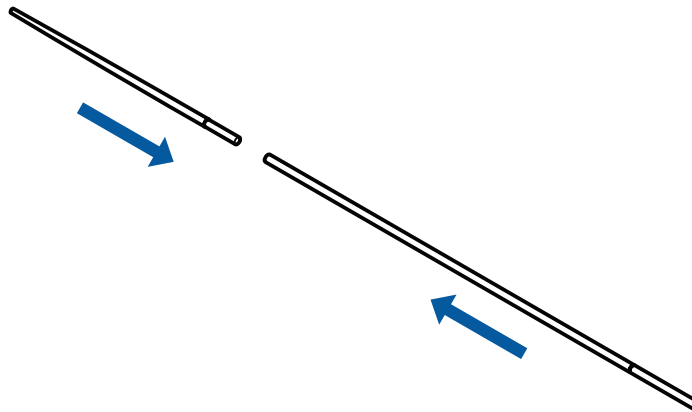
3

MARK OUT AND DIG FOOTINGS AS PER THE FOUNDATIONS TABLE AND ENSURE YOU ALLOW MIN OF 4.5m (5m FOR NEW OVALS) TO FENCE LINE



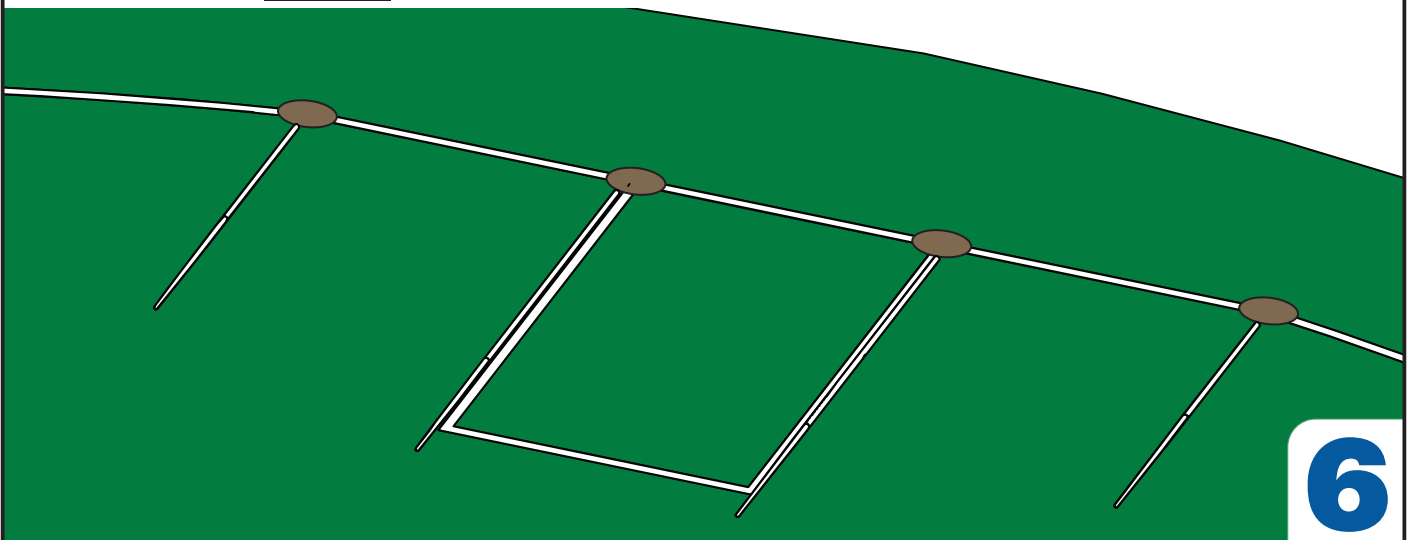
4

ASSEMBLE GOAL POSTS IF REQUIRED AND POP RIVET TOGETHER USING ALL PRE DRILLED HOLES



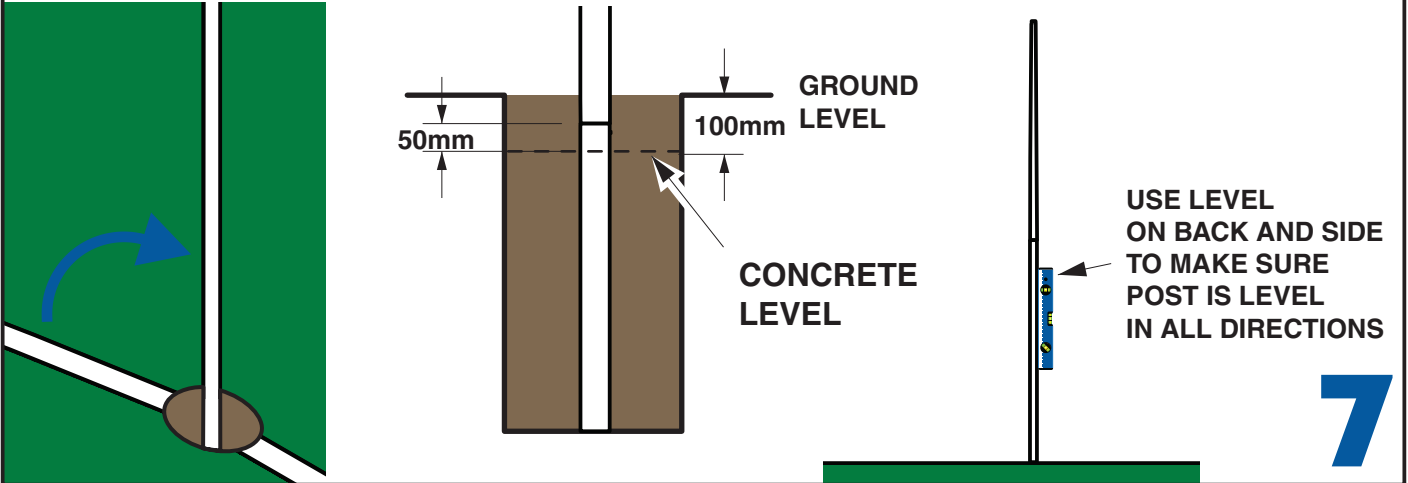
5

LAYOUT ALL POSTS IN FRONT OF THE CORRECT FOUNDATION HOLES

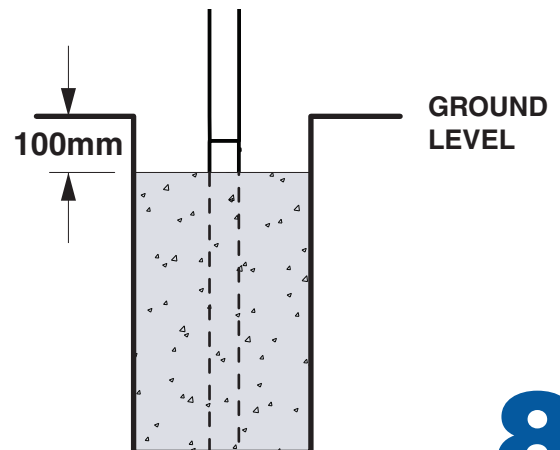


6

STAND POST WITH ATTACHED GROUND TUBE IN HOLE, POSITION, LEVEL AND STABILISE POSTS READY FOR CONCRETE POUR



ONCE YOU HAVE POSITIONED THE POSTS, POUR CONCRETE 100mm BELOW GROUND LEVEL, REPEAT ON ALL FOUNDATIONS

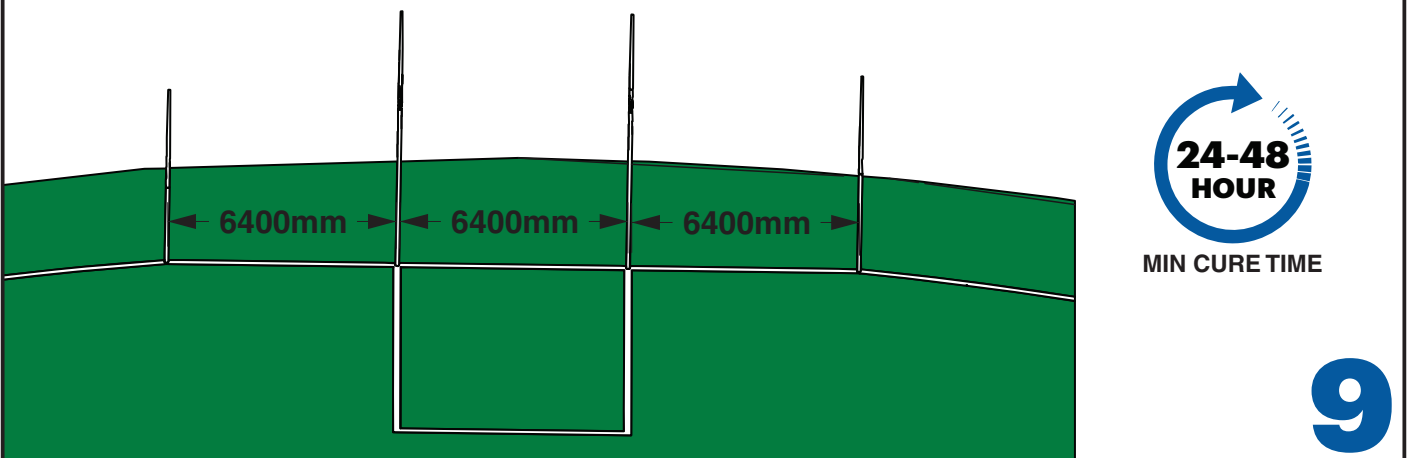


CONCRETE RECOMMENDATIONS:

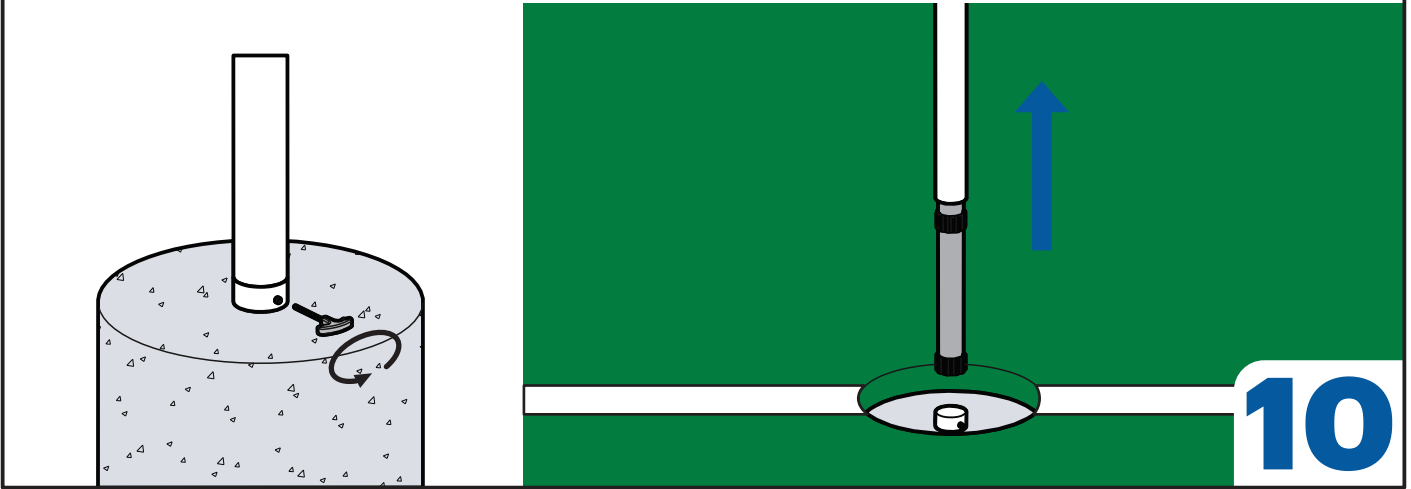
MINIMUM STRENGTH: 25MPA 80-100 SLUMP 20-25

AGGREGATE. ADDITION OF 2% CONCRETE ACCELERATOR

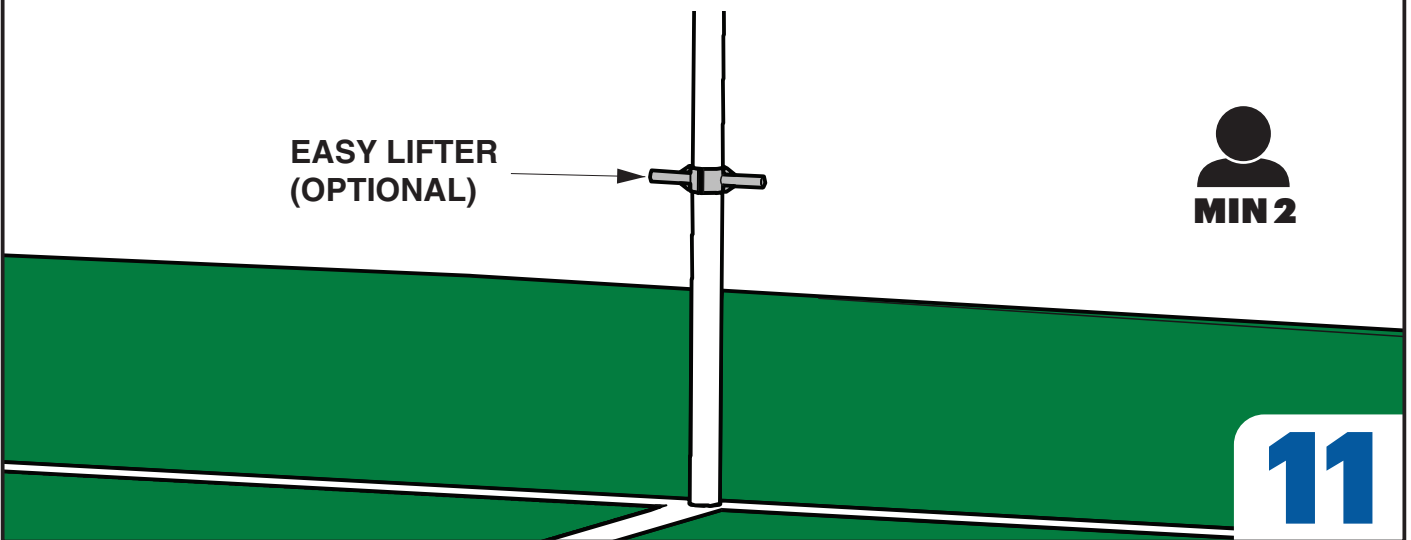
REPEAT STEPS 7 & 8 FOR EACH POST ENSURE 6400mm GAP IS ACHIEVED LEAVE CONCRETE TO CURE MIN 24-48 HOURS



TO REMOVE POSTS, UNSCREW SECURITY SCREW AND LIFT POST FROM GROUND TUBE AND MOVE TO STORAGE



AN EASY LIFTER CAN BE USED TO AID RAISING AND LOWERING POSTS



USE OFF SEASON CAP TO SEAL GROUND TUBE HOLES FOR OFF SEASON STORAGE

