

WHAT YOU NEED



SPANNER
GP12000 - 30mm
GP15000 - 36mm

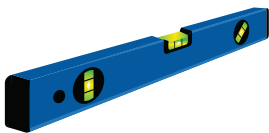


SOCKET WRENCH
GP12000 - 30mm
GP15000 - 36mm

OR



DO NOT USE IMPACT WRENCH



LEVEL



TAPE



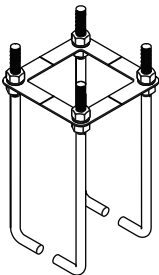
SPADE



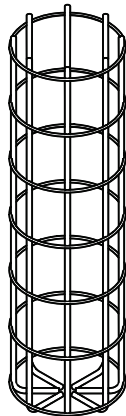
RIVETER

KIT CONTENTS

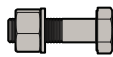
PARTS NOT TO SCALE



HOLD DOWN BOLTS WITH INSTALLATION TEMPLATE x8



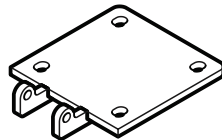
FOUNDATION CAGE x8



HINGE PIN x16



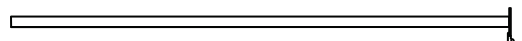
TOP NUT x32
WASHER x64



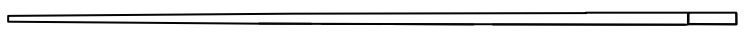
BOTTOM PLATE x8



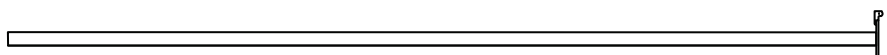
POINTS POST TOP x4



POINTS POST BASE x4



GOAL POST TOP x4



GOAL POST BASE x4

IMPORTANT! YOU MUST SURVEY THE GROUND FOR EXISTENCE OF ANY UNDERGROUND SERVICES, CALL BEFORE YOU DIG.

1100

1

FOUNDATION LAYOUT AT EACH END OF FIELD

2

FOUNDATION SIZE AND LOCATION TABLE

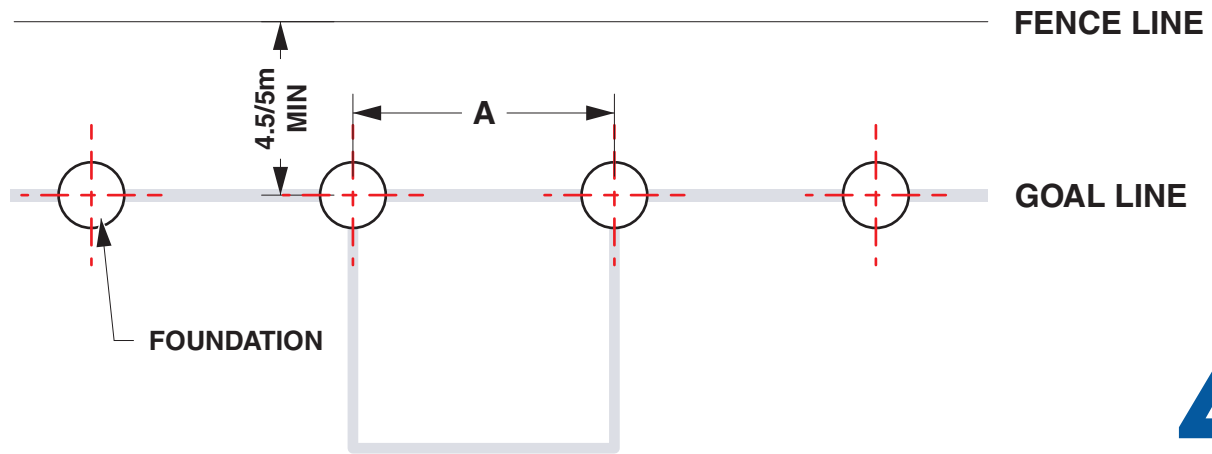
MODEL	A (mm)	B (mm)	C (mm)	Est Concrete (m ²)
GP 12000 HBP	6525	1500	600	2.8
GP 15000 HBP	6525	1800	750	5.5

PLEASE NOTE: POST DIAMETER 125mm, GAP BETWEEN POSTS TO BE 6400mm

CONCRETE RECOMMENDATIONS:
 MINIMUM STRENGTH: 25MPA 80-100 SLUMP 20-25 AGGREGATE
 ADDITION OF 2% CONCRETE ACCELERATOR

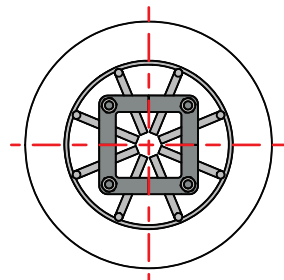
3

MARK OUT AND DIG FOOTINGS AS PER THE FOUNDATIONS TABLE AND ENSURE YOU ALLOW MIN OF 4.5m (5m FOR NEW OVALS) TO FENCE LINE

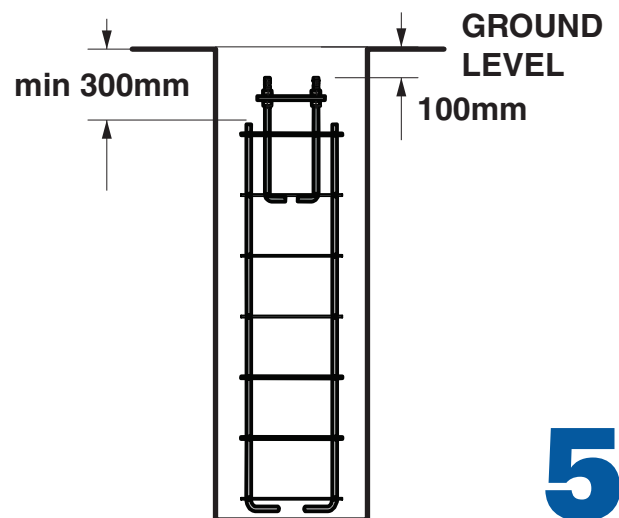


4

INSERT AND SET OUT FOUNDATION CAGE AND HOLD DOWN BOLT CAGE, TOP OF BOLTS TO BE 100mm BELOW GROUND LEVEL, REPEAT ON ALL FOUNDATIONS



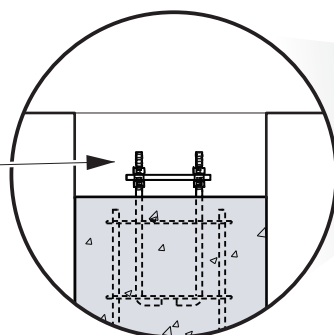
CENTRE BOLTS TO CORRECT LOCATION AND DISTANCES



5

POUR CONCRETE 250mm BELOW GROUND LEVEL, LEAVE CONCRETE TO FULLY CURE, REPEAT ON ALL FOUNDATIONS

AVOID GETTING CONCRETE ONTO THREADS



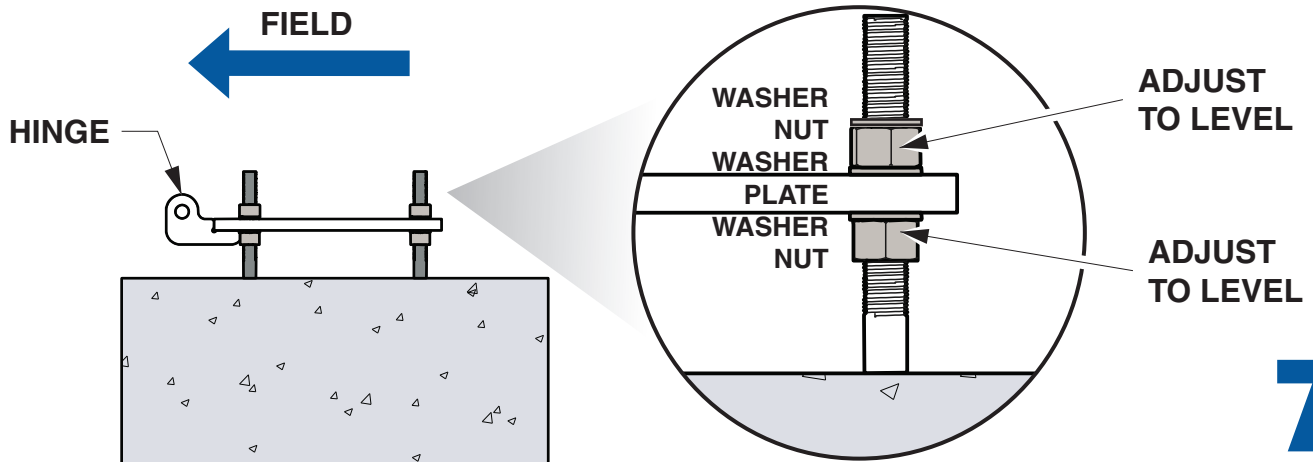
250mm

24-48 HOUR
MIN CURE TIME

CONCRETE RECOMMENDATIONS:
 MINIMUM STRENGTH: 25MPA 80-100 SLUMP 20-25
 AGGREGATE. ADDITION OF 2% CONCRETE ACCELERATOR

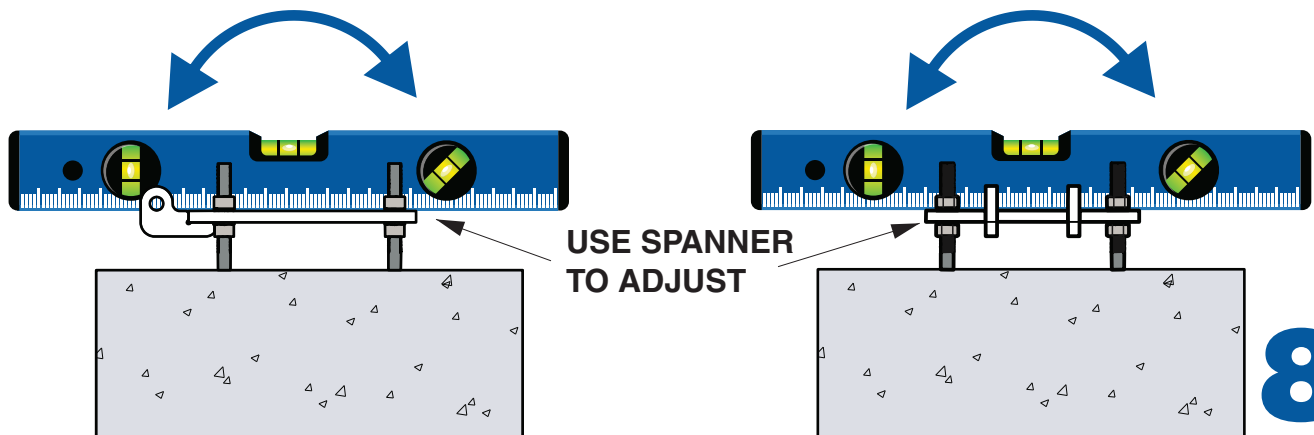
6

REMOVE TEMPLATE, AND REPLACE WITH BOTTOM PLATE AND LEVEL, HINGE MUST FACE DIRECTION OF THE FIELD, REPEAT ON ALL PLATES

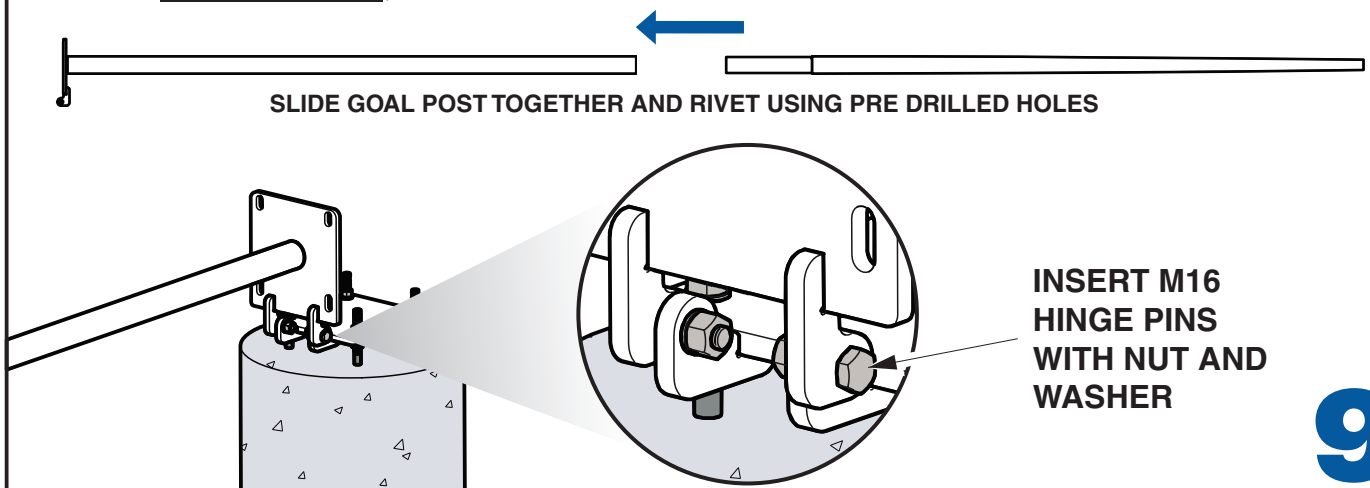


7

TO LEVEL BOTTOM PLATES YOU MUST ADJUST THE TOP AND BOTTOM NUTS SO THAT THE PLATE IS LEVEL IN ALL DIRECTIONS, REPEAT ON ALL PLATES

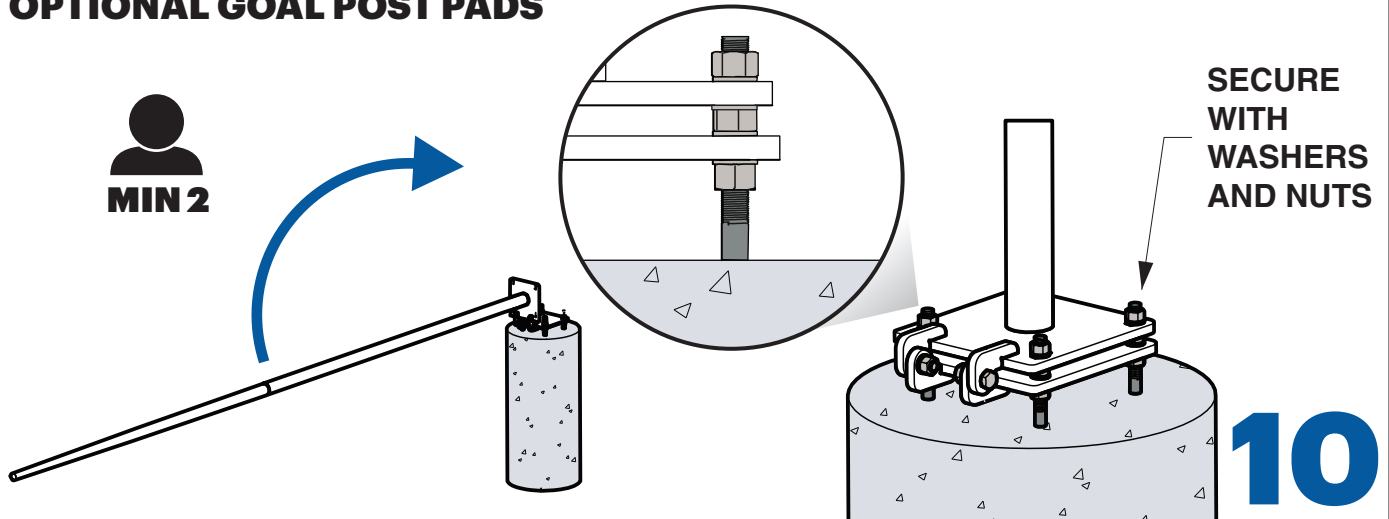


ASSEMBLE GOAL POST, ATTACH POST AND TOP PLATE TO BOTTOM PLATE USING HINGE PINS, REPEAT ON ALL POSTS



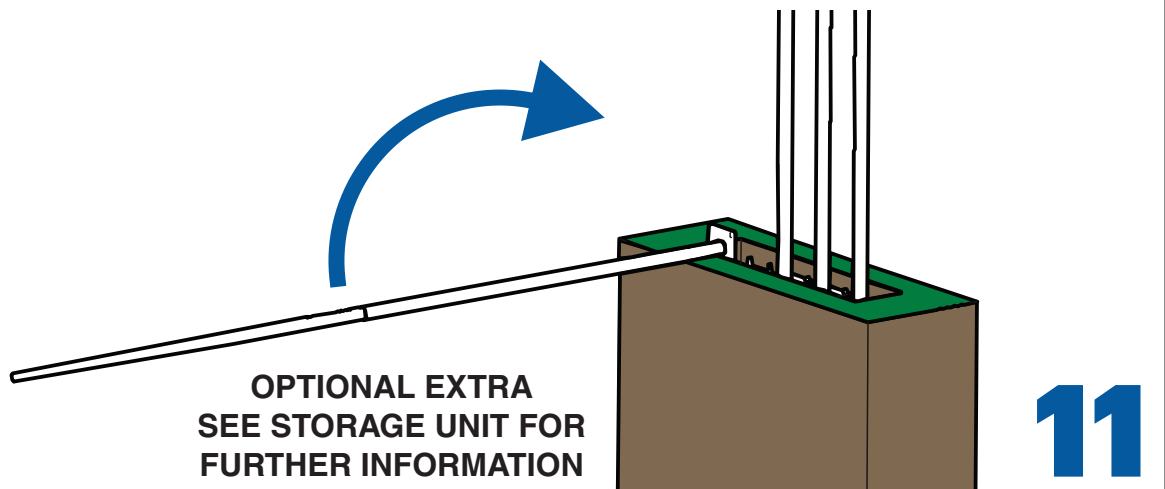
CAREFULLY RAISE GOAL POSTS AND SECURE WITH TOP NUTS, INSTALL OPTIONAL GOAL POST PADS


MIN 2



TO STORE GOAL REPEAT STEPS 10 TO 9, COVER FOUNDATIONS AND RETURN TO OPTIONAL STORAGE UNIT


MIN 2



AN EASY ROLLER CAN BE USED TO AID RAISING AND LOWERING POSTS

OPTIONAL EXTRA
SEE EASY ROLLER FOR
FURTHER INFORMATION

