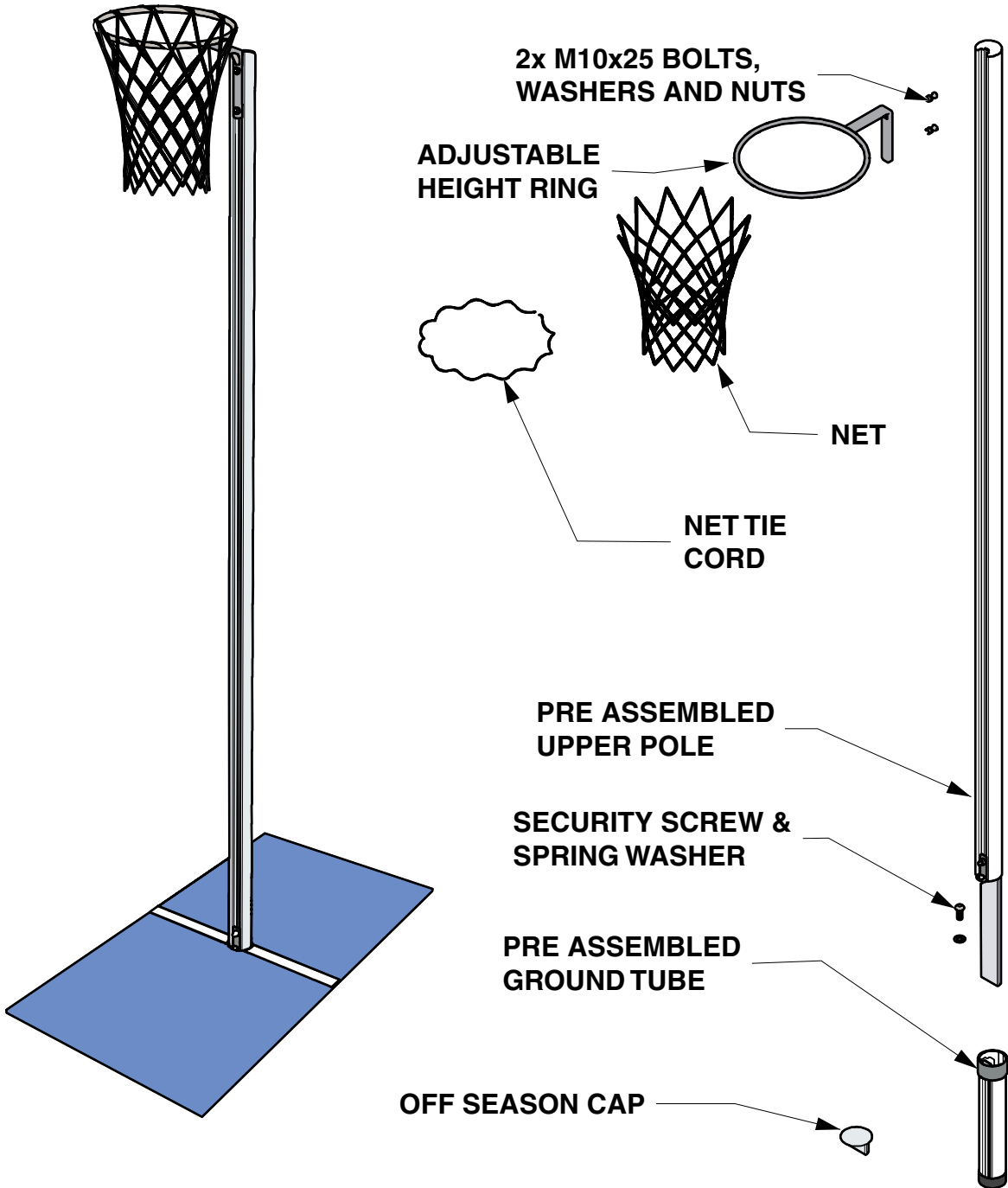




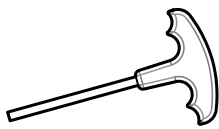
KIT CONTENTS



WHAT YOU NEED



1-2



HEX KEY
(SUPPLIED WITH KIT)



17mm SPANNER



17mm SOCKET WRENCH

OR



DO NOT USE IMPACT WRENCH

SELECT FOOTING TYPE FOR NETBALL GROUND TUBE

1

POURED FOOTING 450 DIAMETER X MIN 460 DEEP CONCRETE

2

EXISTING CONCRETE SLAB - CORE DRILL 120 X 460 HOLE

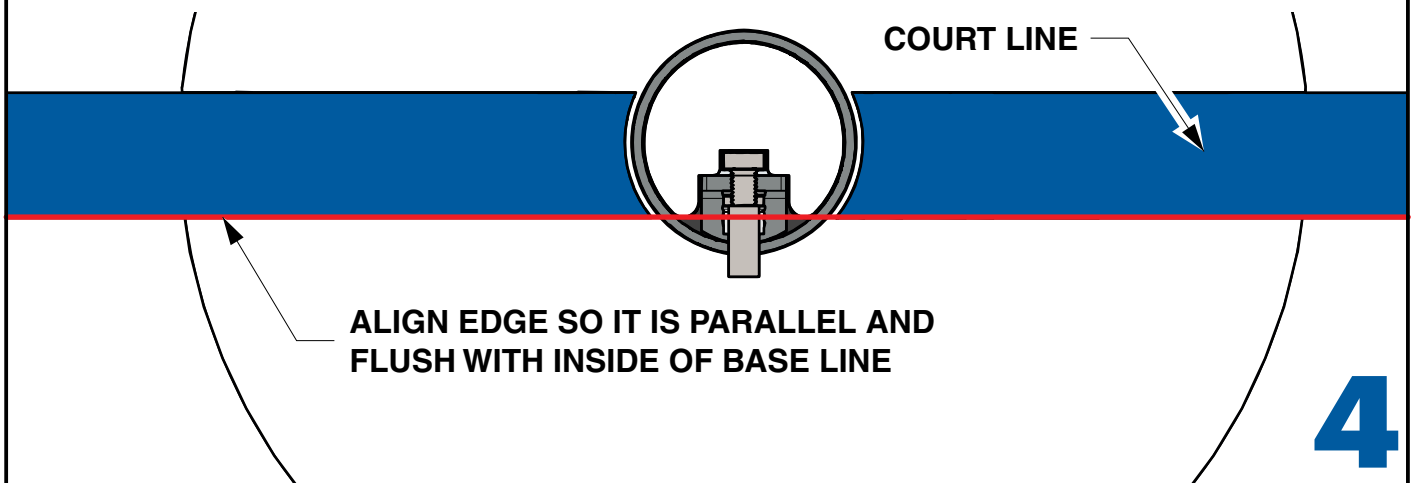
CHANNEL TO FACE TOWARDS COURT

3

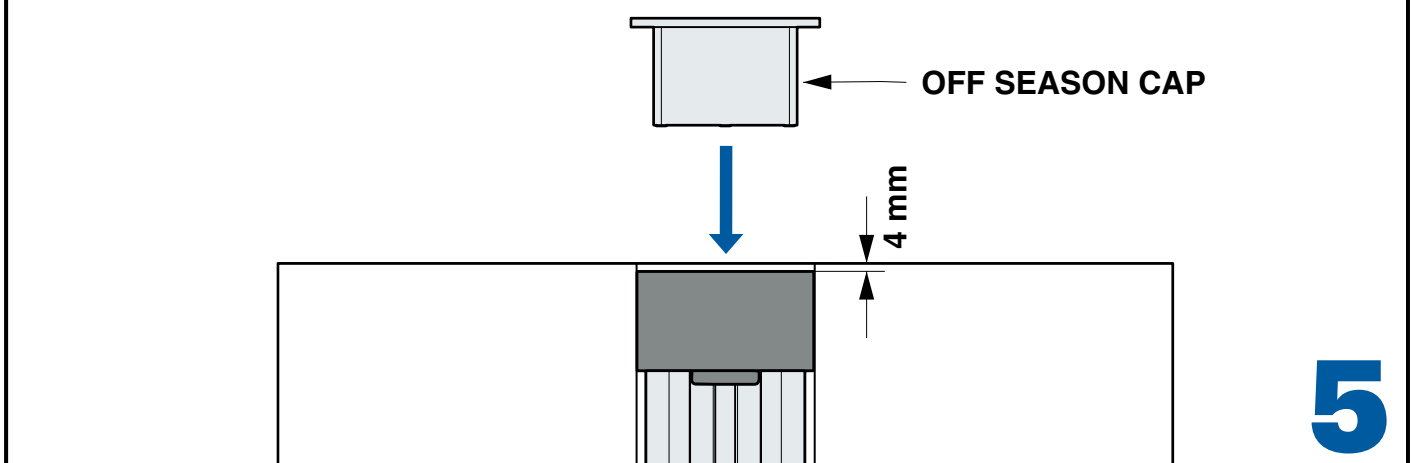
INTERNAL FLOORING AND CONCRETE SLAB - CORE DRILL 120 X 460 HOLE

Abel Sports recommend that great care be taken when drilling to ensure that there is no damage to the damp-proof membrane or other waterproofing or services.
 When fitting the socket please ensure the aluminium channel is parallel and flush with inside of base line to prevent incorrect alignment of the netball ring, and the top is 4mm under the ground level to allow for the off season cap to be flush with the ground when fitted.
 To secure the socket, use an epoxy masonry adhesive.

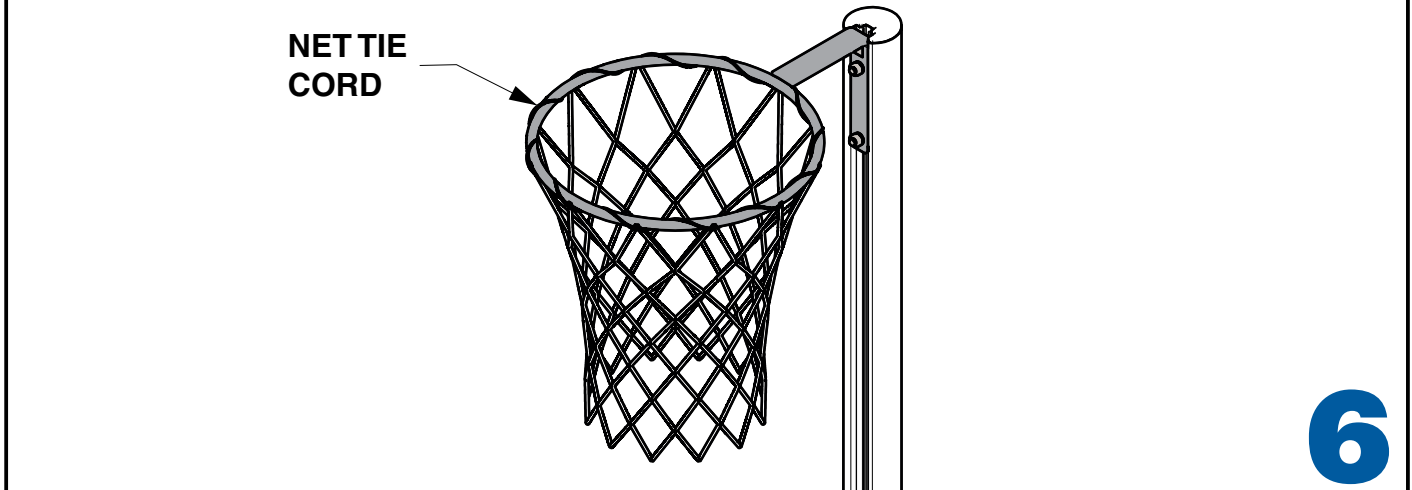
WHEN DRILLING THE HOLE TO PLACE THE SOCKET, YOU MUST ALIGN THE ALUMINIUM PROFILE WITH THE EDGE OF THE LINE AS SHOWN BELOW.



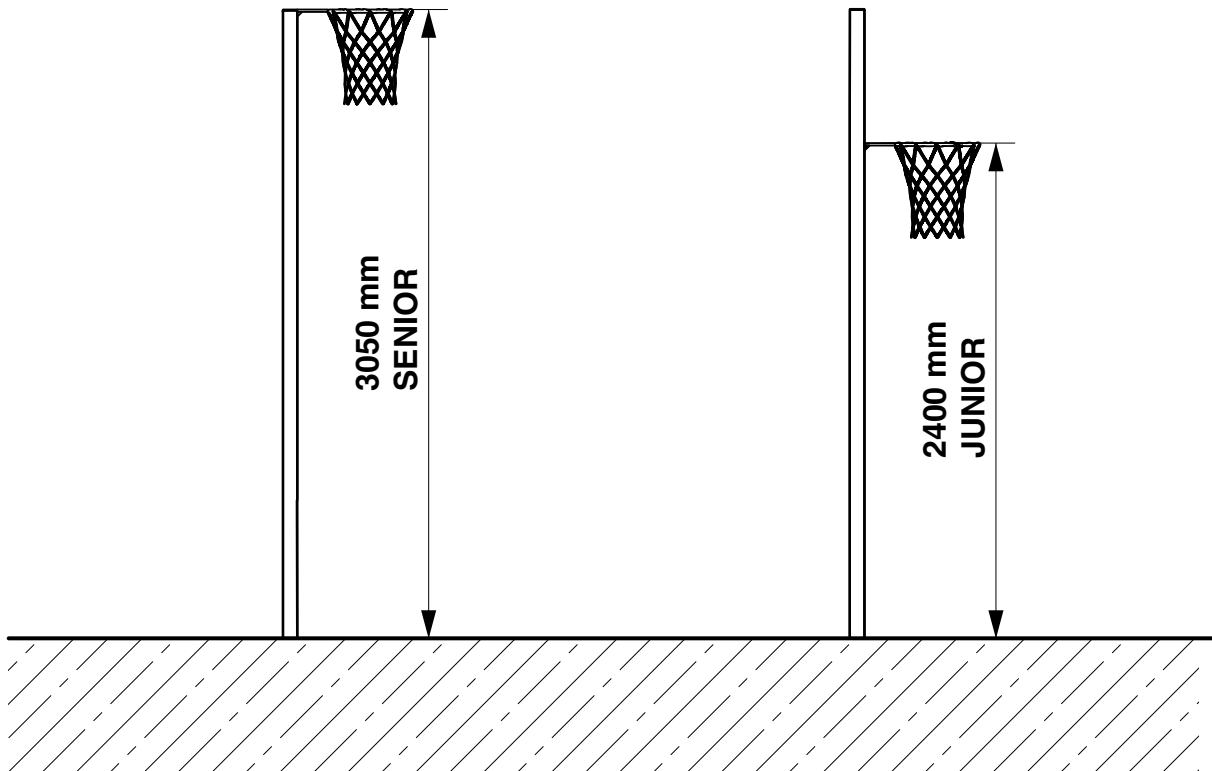
WHEN FIXING THE GROUND TUBE INTO PLACE ALLOW 4MM GAP AT TOP TO ALLOW FOR FLUSH FITTING OF THE OFF SEASON CAP



PULL THE NET INTO SHAPE AND ATTACH TO THE NETBALL RING BY LOOPING THE CORD OVER THE RING AND THROUGH THE NET AS SHOWN



NETBALL GOAL HEIGHT ADJUSTMENT



7

REMOVE

MIN 2

UNSCREW AND LIFT GOAL TO REMOVE, THEN LAY FLAT ON GROUND

This panel shows a person (represented by a silhouette) standing next to a goalpost. A circular inset shows a close-up of the base of the goalpost where a security screw is being removed. A blue arrow points upwards, indicating the goal is to be lifted. The goal is shown lying flat on a concrete base.

8

JUNIOR = 2.4m
SENIOR = 3.05m

FROM FLOOR TO TOP OF RING

LOOSEN NUTS AND ADJUST TO REQUIRED HEIGHT AND RE-TIGHTEN

This panel shows a close-up of the goal's ring and net. A person's hands are shown adjusting the net. A blue double-headed arrow indicates the adjustment range. The goal is shown being adjusted to the required height.

9

IMPORTANT RE-TIGHTEN SECURITY SCREW

LIFT GOAL TO REINSTALL AND RE-TIGHTEN LOWER SECURITY SCREW

MIN 2

This panel shows a person (represented by a silhouette) standing next to a goalpost. A circular inset shows a close-up of the base of the goalpost where a security screw is being re-tightened. A blue arrow points downwards, indicating the goal is to be lowered. The goal is shown being re-installed on its concrete base.