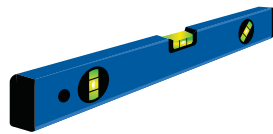


WHAT YOU NEED



2-4



LEVEL



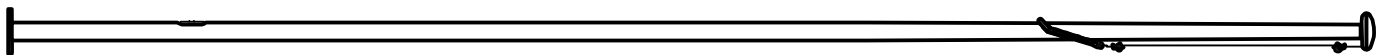
TAPE



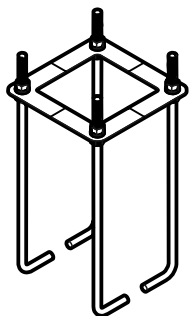
SPADE

KIT CONTENTS

PARTS NOT TO SCALE



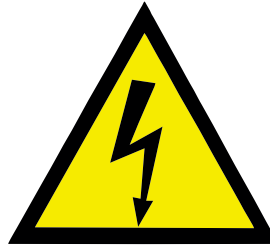
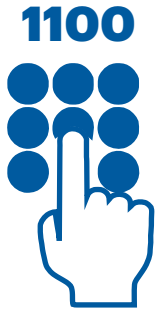
**FLAG POLE WITH PRE-ASSEMBLED BASE PLATE x1
(ACCESS KEY AFFIXED TO TOP CAP)**



**HOLD DOWN BOLTS
WITH INSTALLATION
TEMPLATE x1**

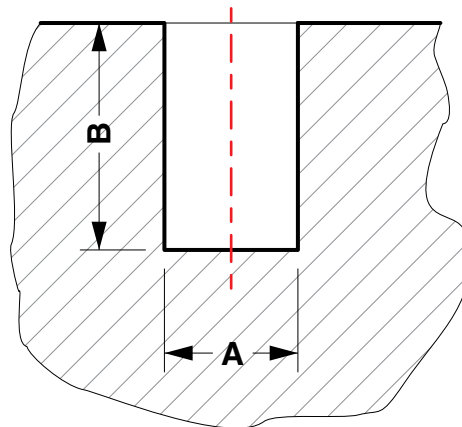


IMPORTANT! YOU MUST SURVEY THE GROUND FOR EXISTENCE OF ANY UNDERGROUND SERVICES, CALL BEFORE YOU DIG.



1

FOUNDATION LAYOUT FOR FLAG POLE



2

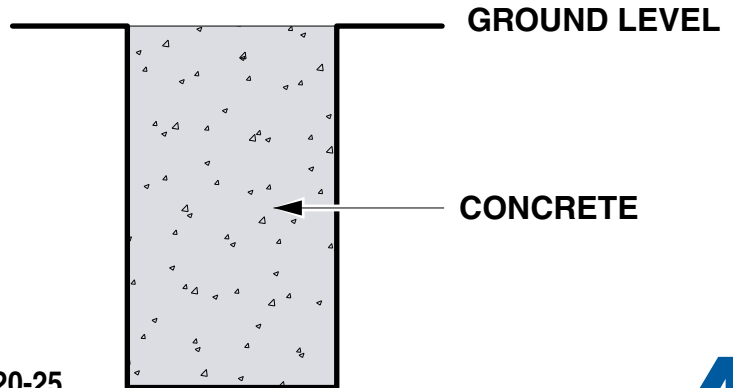
FOUNDATION SIZE TABLE

| MODEL | A (mm) | B (mm) | CONCRETE BAGS | Est Concrete (m ²) |
|-----------|--------|--------|---------------|--------------------------------|
| TVR-1-6 | 450 | 700 | 6 | 0.1 |
| TVR-1-7 | 450 | 800 | 6-7 | 0.1 |
| TVR-1-7.5 | 450 | 850 | 7-8 | 0.2 |
| TVR-1-8 | 450 | 900 | 8-9 | 0.2 |
| TVR-1-9 | 600 | 1000 | 12 | 0.3 |
| TVR-1-10 | 600 | 1100 | Sureset only | 0.3 |
| TVR-1-12 | 800 | 1300 | Sureset only | 0.6 |

CONCRETE RECOMMENDATIONS:
 MINIMUM STRENGTH:
 25MPA 80-100 SLUMP
 20-25 AGGREGATE
 ADDITION OF 2%
 CONCRETE
 ACCELERATOR

3

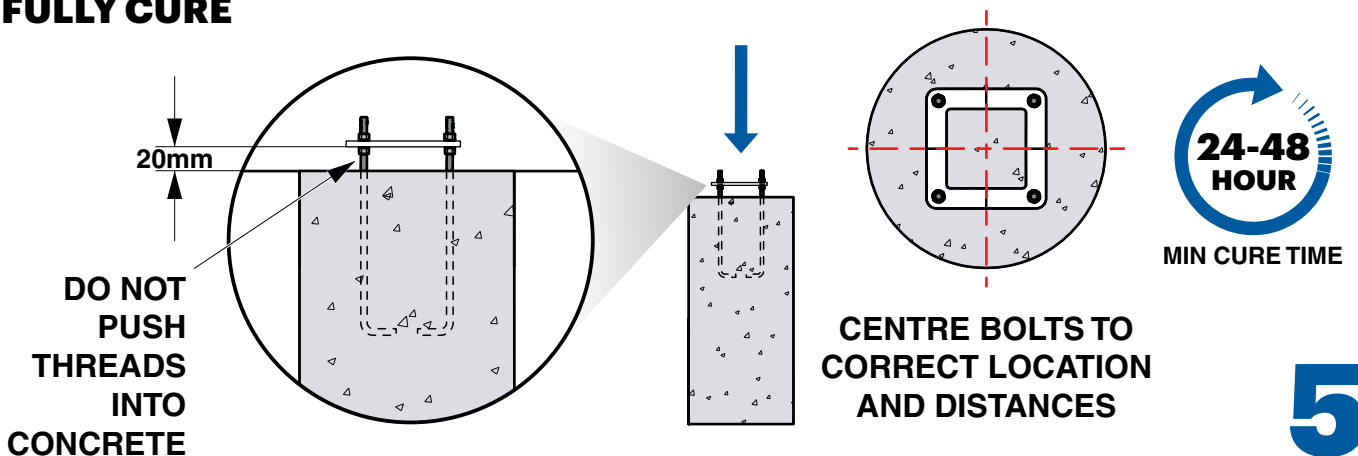
DIG FOUNDATION HOLE AS PER TABLE, POUR CONCRETE TO GROUND LEVEL,



CONCRETE RECOMMENDATIONS:
MINIMUM STRENGTH: 25MPA 80-100 SLUMP 20-25
AGGREGATE. ADDITION OF 2% CONCRETE ACCELERATOR

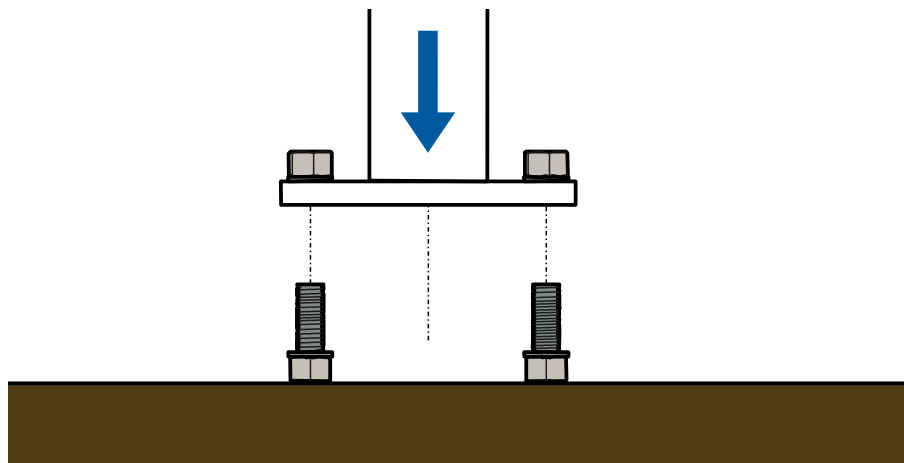
4

INSERT HD BOLT SET INTO POSITION OF FOUNDATION, BOTTOM OF TEMPLATE TO BE 20mm ABOVE GROUND LEVEL, LEAVE CONCRETE TO FULLY CURE



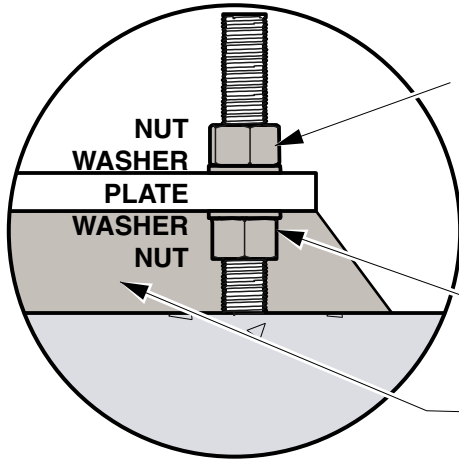
5

REMOVE TEMPLATE, AND INSTALL FLAG POLE, READY FOR LEVELLING, ACCESS DOOR MUST FACE A CLEAR AREA



6

ADJUST TOP AND BOTTOM NUTS TO LEVEL FLAG POLE, ENSURE ALL NUTS ARE TIGHT, ONCE LEVEL ADD NON SHRINK GROUT UNDER BASE PLATE



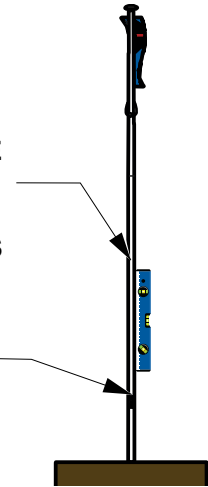
ADJUST TO LEVEL

USE LEVEL ON BACK AND SIDE TO MAKE SURE POST IS LEVEL IN ALL DIRECTIONS

ADJUST TO LEVEL

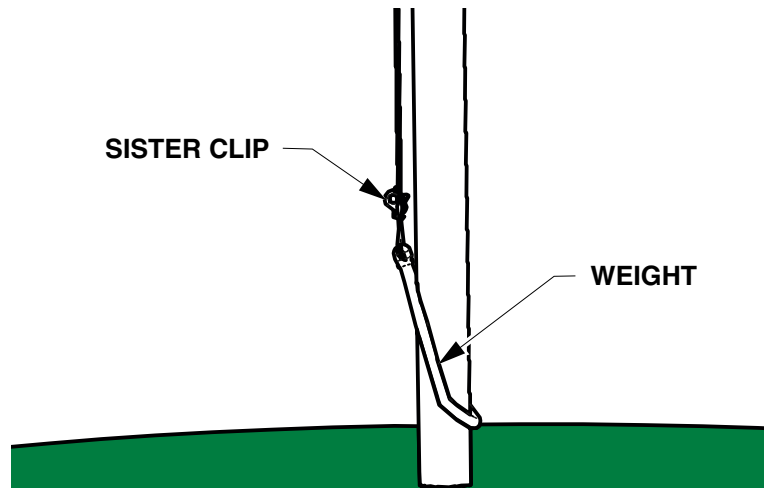
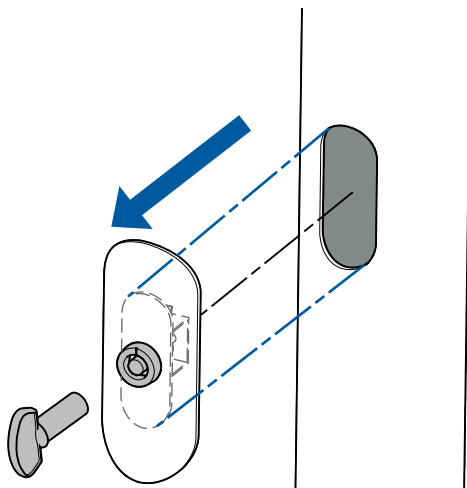
DOOR MUST FACE CLEAR AREA

ONCE LEVEL ADD NON SHRINK GROUT



7

OPEN DOOR IN POLE, UNCLIP AND LOWER HALYARD (ROPE), UNTIL THE FLAG WEIGHT IS LOW ENOUGH TO ATTACH THE FLAG

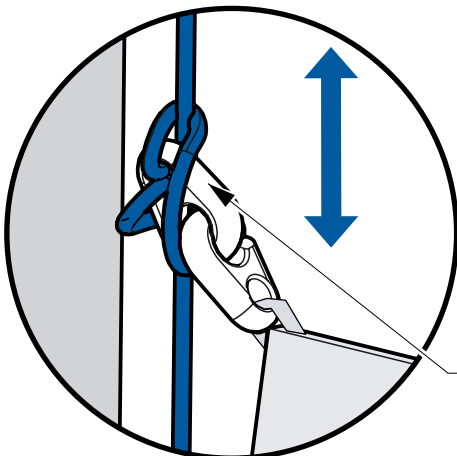


SISTER CLIP

WEIGHT

8

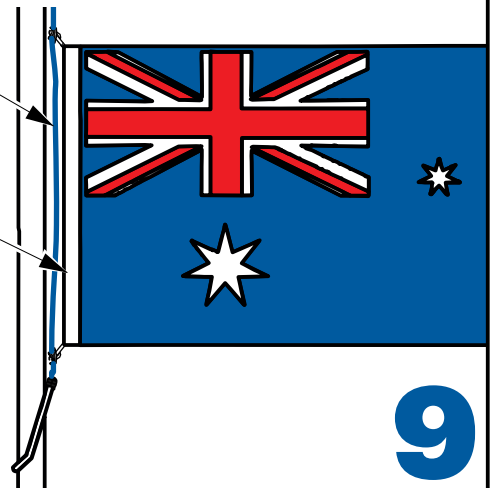
CONNECT SISTER CLIPS TOGETHER, ADJUST UPPER SISTER CLIP ON THE HALYARD (ROPE) SO THAT THE FLAG IS TAUT AND ROPE IS SLACK



ROPE MUST BE LOOSE

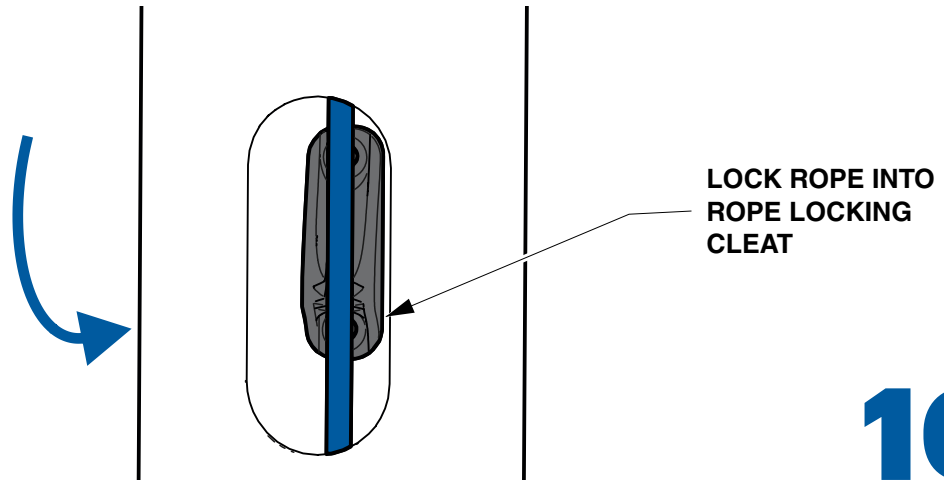
ADJUST SISTER CLIPS SO THAT THE FLAG IS TAUT AND TAKES THE LOAD OF THE WEIGHT

SLIDE UPPER SISTER CLIP UP OR DOWN TO ADJUST THE FLAG TAUTNESS



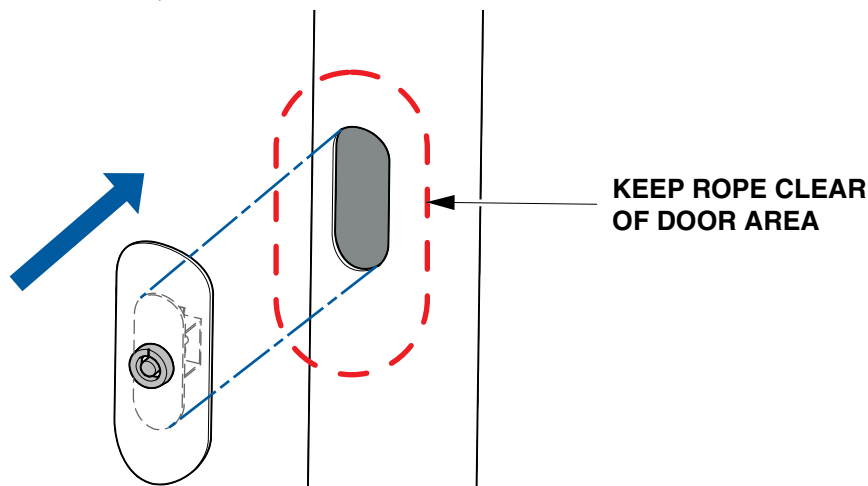
9

RAISE FLAG BY PULLING THE ROPE WITHIN THE ACCESS DOOR, USE THE ROPE LOCKING CLEAT INSIDE THE POLE TO HOLD THE ROPE IN PLACE,



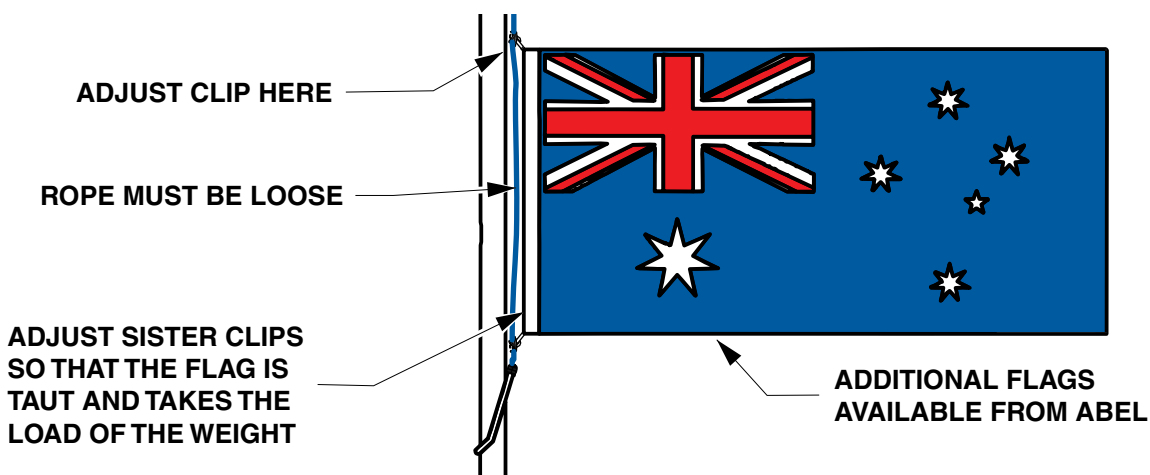
10

THE REMAINDER OF THE ROPE MUST BE PLACED INSIDE THE POLE AND CLEAR OF THE DOOR, RELOCATE THE ACCESS DOOR AND LOCK IN PLACE



11

CHECK THE CONDITION OF THE ROPE AND FLAG, AND ADJUST THE UPPER SISTER CLIP AS NECESSARY EVERY 6 MONTHS



12