



Rugby Goal Specifications



Abel Rugby Goals are proudly used by all major Australian stadiums



Model No.	Goal Post Height	Pole Diam (mm)	Pole Wall Thickness	Cross Bar Length	Pole Design	Footing Type
RUGBY LEAGUE / UNION GOALS WITH SLIDE SHIFT FOOTINGS						
RG16000HBPSS	16.0m	125mm OD	3.0mm	5.5m & 5.6m	Tapered	Hinged Base-Plate with Side Shift
RUGBY LEAGUE GOALS						
RG16000HBPL	16.0m	125mm OD	3.0mm	5.5m	Tapered	Hinged Base-Plate
RG12000HBPL	12.0m	125mm OD	3.0mm	5.5m	Tapered	Hinged Base-Plate
RG10000HBPL	10.0m	100mm OD	2.3mm	5.5m	Tapered	Hinged Base-Plate
RG10000GTL	10.0m	100mm OD	2.3mm	5.5m	Tapered	Ground Tube
RGUT7500GTL	7.5m	80mm OD	2.0mm	5.5m	Untapered	Ground Tube
RUGBY UNION GOALS						
RG16000HBPU	16.0m	125mm OD	3.0mm	5.6m	Tapered	Hinged Base-Plate
RG12000HBPU	12.0m	125mm OD	3.0mm	5.6m	Tapered	Hinged Base-Plate
RG10000HBPU	10.0m	100mm OD	2.3mm	5.6m	Tapered	Hinged Base-Plate
RG10000GTU	10.0m	100mm OD	2.3mm	5.6m	Tapered	Ground Tube
RGUT7500GTU	7.5m	80mm OD	2.0mm	5.6m	Untapered	Ground Tube

www.abelsports.com.au

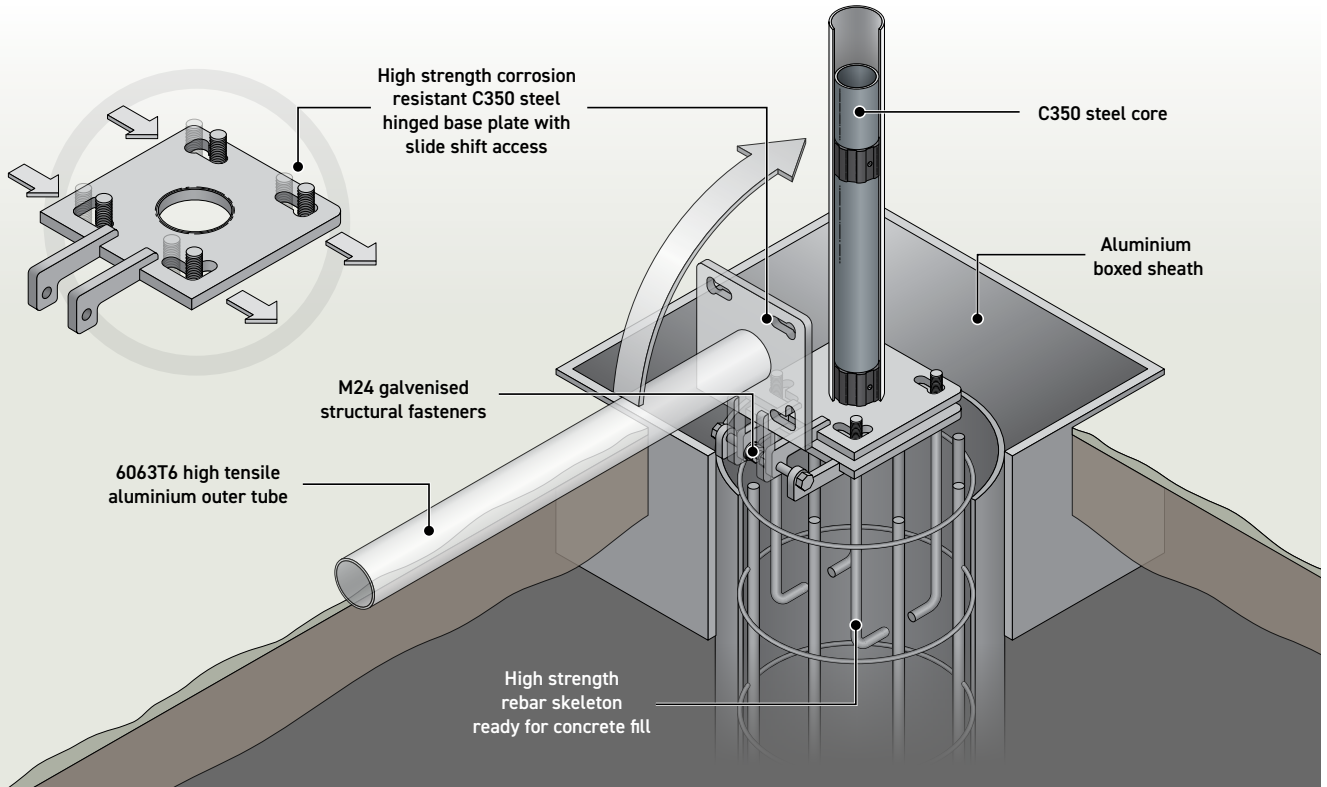
Phone: 1300 193 714 | (03) 9318 9616

Email: info@abelsports.com.au





Rugby Goal Footing Types



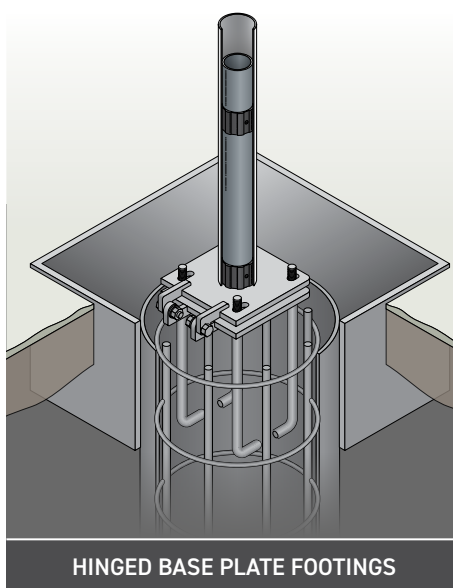
SLIDE SHIFT, HINGED BASE PLATE FOOTINGS FOR BOTH RUGBY LEAGUE & RUGBY UNION

Abel is the proud supplier of premium quality Rugby goals for Australia's most prominent stadiums, elite sporting clubs, local councils, schools and universities.

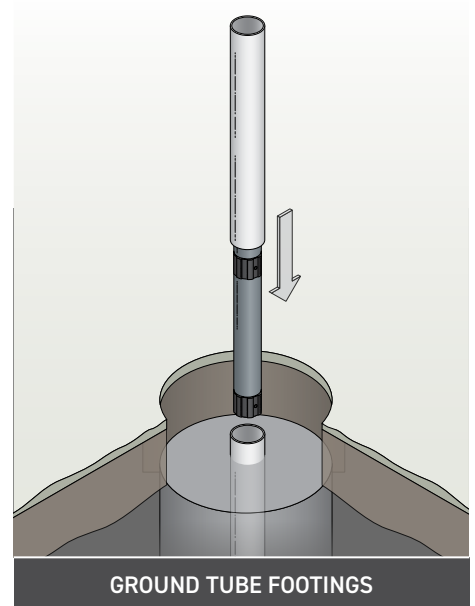
Working closely with premier sports stadiums and arenas, our 16m Rugby goals are engineered to comply with the NRL and Rugby AU National Facility Guidelines and are backed by our five-year warranty.

Made in Australia from quality Australian steel and featuring our unique hinged base plate footings - Abel goals can be safely installed and easily removed and stored during the off-season.

Abel Rugby goals are the goal of choice for elite sporting arenas.



HINGED BASE PLATE FOOTINGS



GROUND TUBE FOOTINGS

www.abelsports.com.au

Phone: 1300 193 714 | (03) 9318 9616

Email: info@abelsports.com.au





Rugby Goal Key Features



Single-Piece Crossbar available in 5.5m & 5.6m to suit Rugby League and Rugby Union



Semi-Permanent Ground Tube footings for Goals up to 10m



Hinged Base Plate Footings for Goals from 10m and above



Slide Shift Footings for Rugby League & Union



Made from 6063T6 High-Tensile Aluminium

www.abelsports.com.au

Phone: 1300 193 714 | (03) 9318 9616

Email: info@abelsports.com.au

